

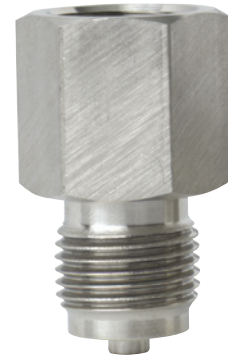
Pressure Gauge In-Line Filters Model 910.22

Applications

- For mounting to pressure gauges in dirt-sensitive hydraulic and pneumatic systems
- To filter out solid substances from gaseous and liquid media (retention of particulates)

Special Features

- They avoid:
 - Plugging of small gauge pressure entries and capillary throttles
 - Accumulation of particles in dirt-sensitive gauge interiors and its consequences
- Furthermore they have an effect of a throttle and damp shock pressure



Pressure Gauge In-Line Filters, Model 910.22

Description

Filter body

Stainless steel 1.4571

Filter disk

Stainless steel 1.4404

Grade of filtration

200 µm

Porosity

30 ... 50 %

Temperature range

-25 ... +200 °C

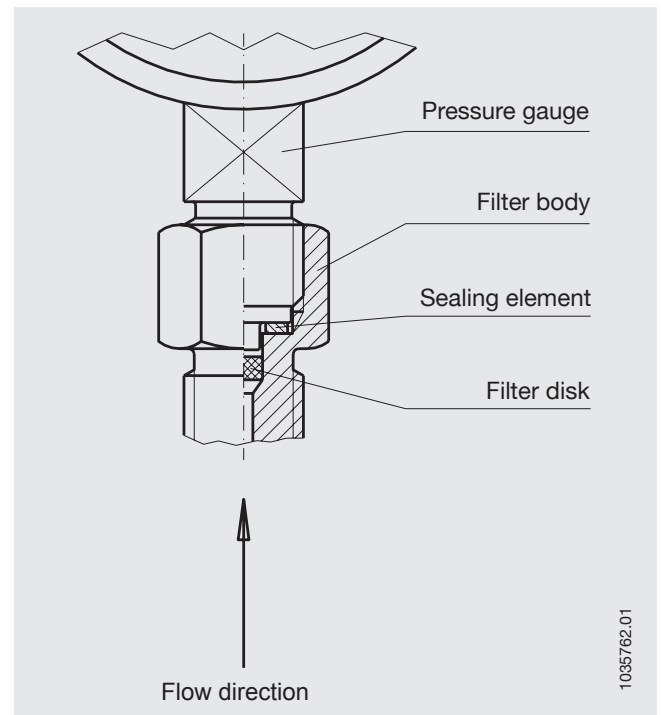
Operating pressure

depends on the sealing washer the customer uses

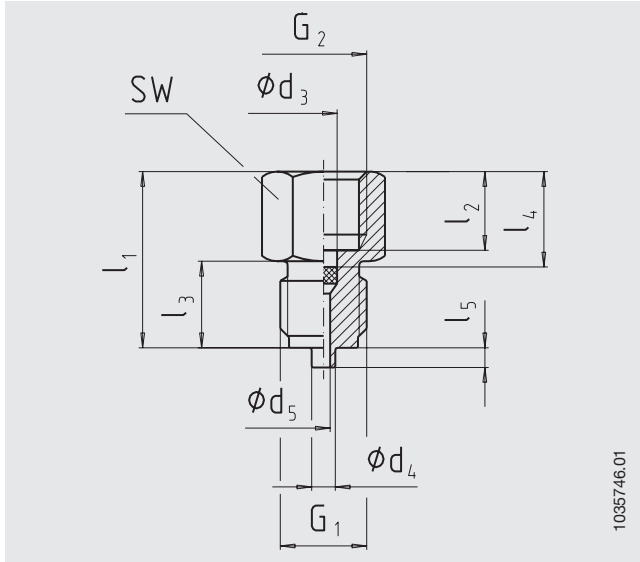
- Sealing element PTFE: PN max. 100 bar
- Sealing element stainless steel 1.4571: PN max. 1600 bar

Process connection

Male and female thread per EN 837-1
or male thread NPT



1035762.01

Dimensions in mm


| Process connection | | Dimensions in mm | | | | | | | | | Order no. |
|--------------------|----------------|------------------|----------------|----------------|----------------|----------------|----------------|----------------|----------------|----|-----------|
| G ₁ | G ₂ | d ₃ | d ₄ | d ₅ | l ₁ | l ₂ | l ₃ | l ₄ | l ₅ | SW | |
| G ½ B | G ½ | 7 | 6 | 3.5 | 46 | 19 | 20 | 22 | 3 | 27 | 9092005 |
| M20 x 1.5 | G ½ | 7 | 6 | 3.5 | 46 | 19 | 20 | 22 | 3 | 27 | 9092013 |
| ½ NPT | G ½ | 7 | – | 3.5 | 44 | 19 | 19 | 22 | – | 27 | 9092021 |
| G ¼ B | G ¼ | 5.5 | 5 | 3 | 32 | 13 | 13 | 15 | 2 | 17 | 9092030 |
| M12 x 1.5 | G ¼ | 5.5 | 5 | 3 | 32 | 13 | 13 | 15 | 2 | 17 | 9092048 |
| ¼ NPT | G ¼ | 5.5 | – | 3 | 30 | 13 | 13 | 15 | – | 17 | 9092056 |

Sealing elements

| Sealing elements for thread G ₂ | PN in bar | Material | Order no. |
|---|--------------|------------------------|-----------|
| G ½ | 100 | PTFE | 9091173 |
| G ½ | 1600 | stainless steel 1.4571 | 9092099 |
| G ¼ | 100 | PTFE | 9092080 |
| G ¼ | 1600 | stainless steel 1.4571 | 9092161 |

Spare parts

| Disk for thread G ₂ | Material | Order no. |
|-----------------------------------|------------------------|-----------|
| G ½ | stainless steel 1.4404 | 9092064 |
| G ¼ | stainless steel 1.4404 | 9092072 |